

Bearing Repeater Compass



Bearing Repeater Compass

The Bearing Repeater Compass is equipped with a 360° compass card and a digital display for heading indication. The heading source – gyro compass, magnetic compass or satellite compass – is also indicated.

Bearing sights can be easily mounted on the centric adapter. The reflected 360° dial on the compass card is used for the reflection into the bearing sight. A fixed 360° scale on the outer ring allows relative bearings to be taken.

For use on double-end ferries a 180° offset can be added. Illumination is controlled via push-button. Bearing sights, bearing brackets and a pelorus stand are available.

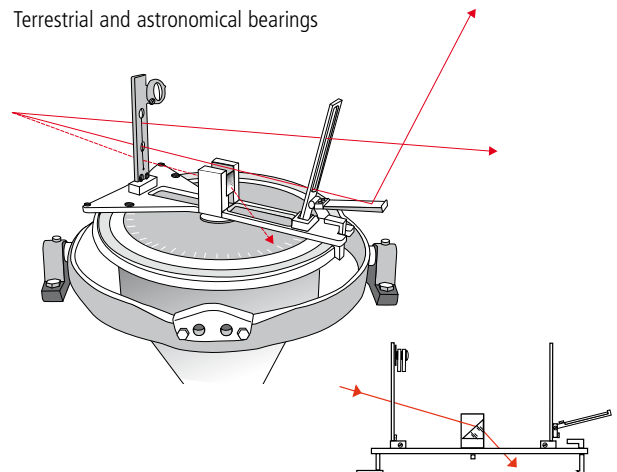


Bearing Sight CP190

- Hinged wire and slit vane for exact bearings
- Index marks for reading the relative bearings on the gradual scale of the repeater compass
- Glass prism and index wire to read compass bearings on the gradual scale of the repeater compass
- Mirror for astronomical bearings
- Two hinged tinted filters (black) for direct sun observation
- The bearing sight comes in a protective case for safe-keeping

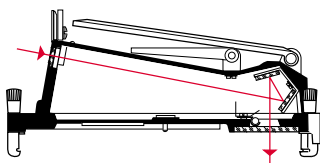


Terrestrial and astronomical bearings

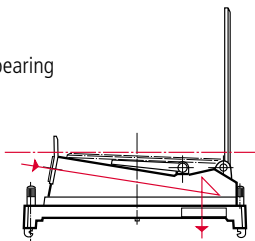


Standard Bearing Sight

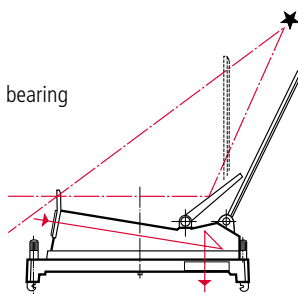
- Index marks for reading the relative bearings on the gradual scale of the repeater compass
- High reading accuracy due to internal optical path
- Mirror for astronomical bearings
- Hinged tinted filter (black) for direct sun observation
- Level indicator for horizontal alignment of the bearing repeater
- Solid design without wires
- The bearing sight is delivered in a protective case for safe-keeping



Terrestrial bearing

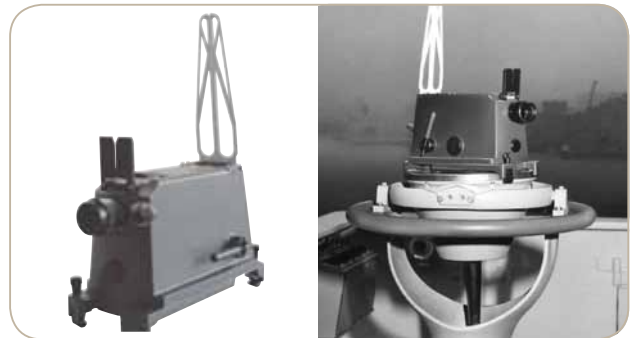


Astronomical bearing

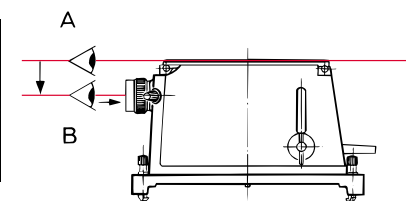
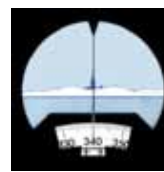


Telescopic Bearing Sight

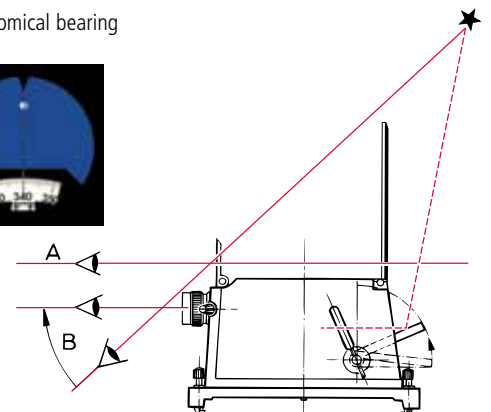
- Bearing sight with seven times optical magnification
- Ocular with dioptr adjustment
- High quality night optics
- Direct reflecting of compass card into field of view for direct reading of bearing
- Mirror for astronomical bearings and seven times power magnification
- Three hinged tinted filters (yellow, grey, black)
- Level indicator for horizontal alignment of the bearing repeater
- Taking of bearings without use of optics
- Solid design without wires
- The bearing sight is delivered in a protective case for safe-keeping



Terrestrial bearing

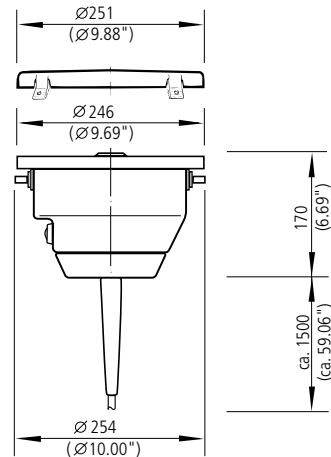


Astronomical bearing



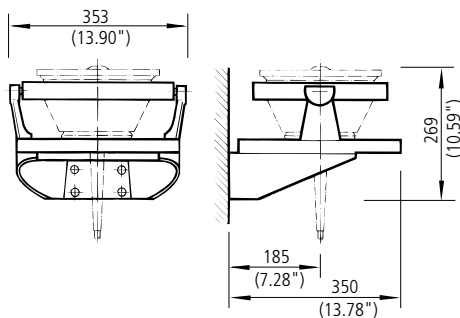
Technical Data

Reading accuracy	0.5° on compass card 0.1° on digital display
Supply voltage	24 V DC (18 – 36 V DC)
Power consumption	max. 10 W
Signal input	RS 422 / RS 232C NMEA or Anschütz course bus
Permissible ambient temperature	-25° C to +70° C
Type of enclosure acc. to IEC/EN 60529	IP 56
In accordance with	EN/IEC 60945, EN/IEC 61162



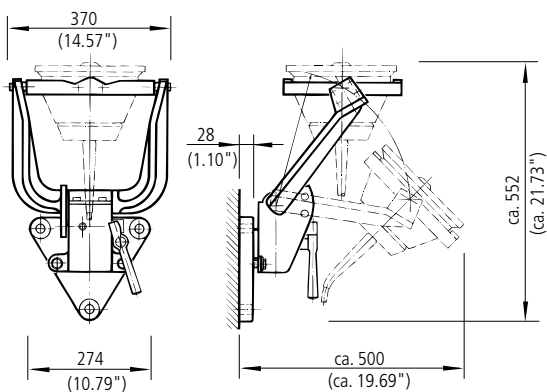
Bearing bracket, non adjustable

Weight 8 kg



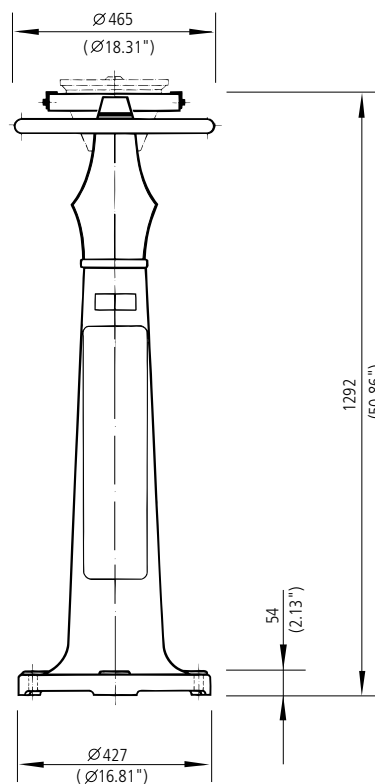
Bearing bracket, adjustable

Weight 13 kg



Pelorus stand

Weight 34 kg



Subject to change due to technical developments without notice.

All rights reserved · Printed in Germany
RAN 801.36 e / L&S 1213

Raytheon Anschütz GmbH

Headquarters
D-24100 Kiel, Germany
Tel +49(0)431-3019-0
Fax +49(0)431-3019-291
Email sales-commercial@raykiel.com
www.raytheon-anschuetz.com